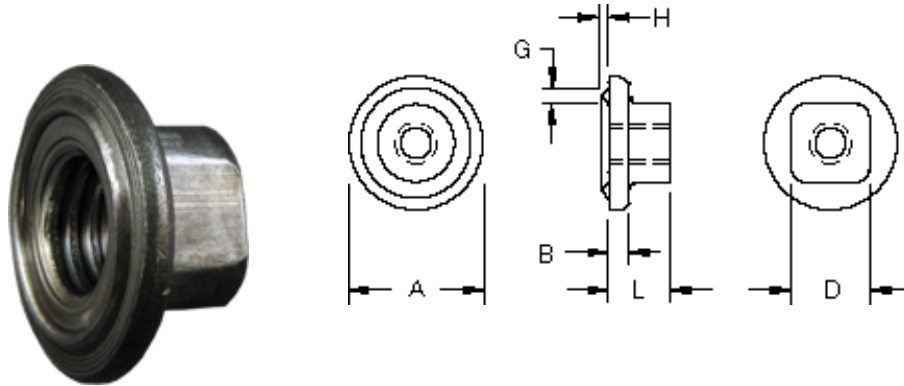


Flanged - Ring Projection



Product	Thread Size	Flange Diameter (in)	Length (in)	A (in)	Tol A (in)	B (in)	Tol B (in)	D (in)	Tol D (in)	G (in)	H (in)	Tol H (in)	L (in)	Tol L (in)
SF 2706	5/16-18	1 1/16	11/32	1.063	+0.005 -0.026	0.125	+0.005 -0.005	0.617	+0.008 -0.007	0.072	0.031	+0.002 -0.002	0.344	+0.01 -0.01
SF 3306	3/8-16	1 1/16	11/32	1.063	+0.005 -0.026	0.125	+0.005 -0.005	0.617	+0.008 -0.007	0.072	0.031	+0.002 -0.002	0.344	+0.01 -0.01
SF 4408	1/2-13	1 1/16	1/2	1.063	+0.005 -0.026	0.125	+0.005 -0.005	0.617	+0.008 -0.007	0.094	0.042	+0.002 -0.002	0.500	+0.01 -0.01

Material: C1010 High-Welding Quality, Low Carbon Steel

Finish: Plain, Unless Specified

Threads: Unified Standard Class 2B ASME B 1.1-2003



Buckeye Fasteners Company

5250 West 164th Street • Brook Park, Ohio 44142-1597

(800) 437-1689 • Fax: (216) 267-3228

buckeyefasteners.com • info@buckeyefasteners.com

© 2024 Buckeye Fasteners Company • All Rights Reserved

